

Examples of use

Vertical drilling



Vertical drilling



Drilling with 2 drive units



Horizontal drilling



Examples of use

Drilling with Forstner drill bit



Drilling with Forstner drill bit



Drilling with hole circle saw



Drilling with hole circle saw



Examples of use

Drilling with auger bit



Vertical milling



Milling 45°



Milling with slot cutter



Examples of use

Nut with saw blade milling



Horizontal pitch circle drilling



Vertical pitch circle drilling



Drilling 45°



Examples of use

Pitch circle milling 45°



Chamfer milling 30°



Thread cutting with Tapping attachment



Examples of use

Longitudinal turning



Longitudinal turning



Longitudinal turning



Examples of use

Turning between 2 centers



Turning with face plate



Longitudal turning with face plate



Examples of use

Turning with face plate



Turning with face plate



Wood sawing

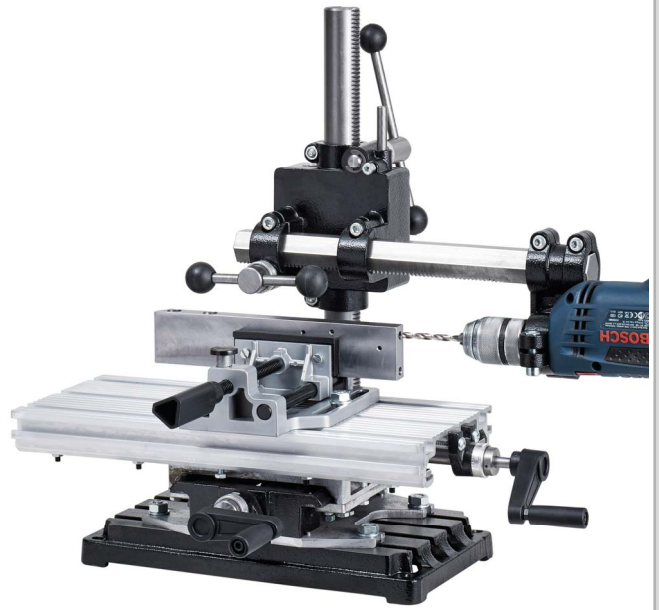


Examples of use

Vertical drilling with 2-axis coordinate table



Horizontal drilling with 2-axis coordinate table



Vertical milling with 2-axis coordinate table



Horizontal Milling with 2-axis coordinate table



Examples of use

Milling 45° with 2-axis coordinate table



Working with 2 guide units



Horizontal drilling with dividing attachment



Vertical milling with dividing attachment

